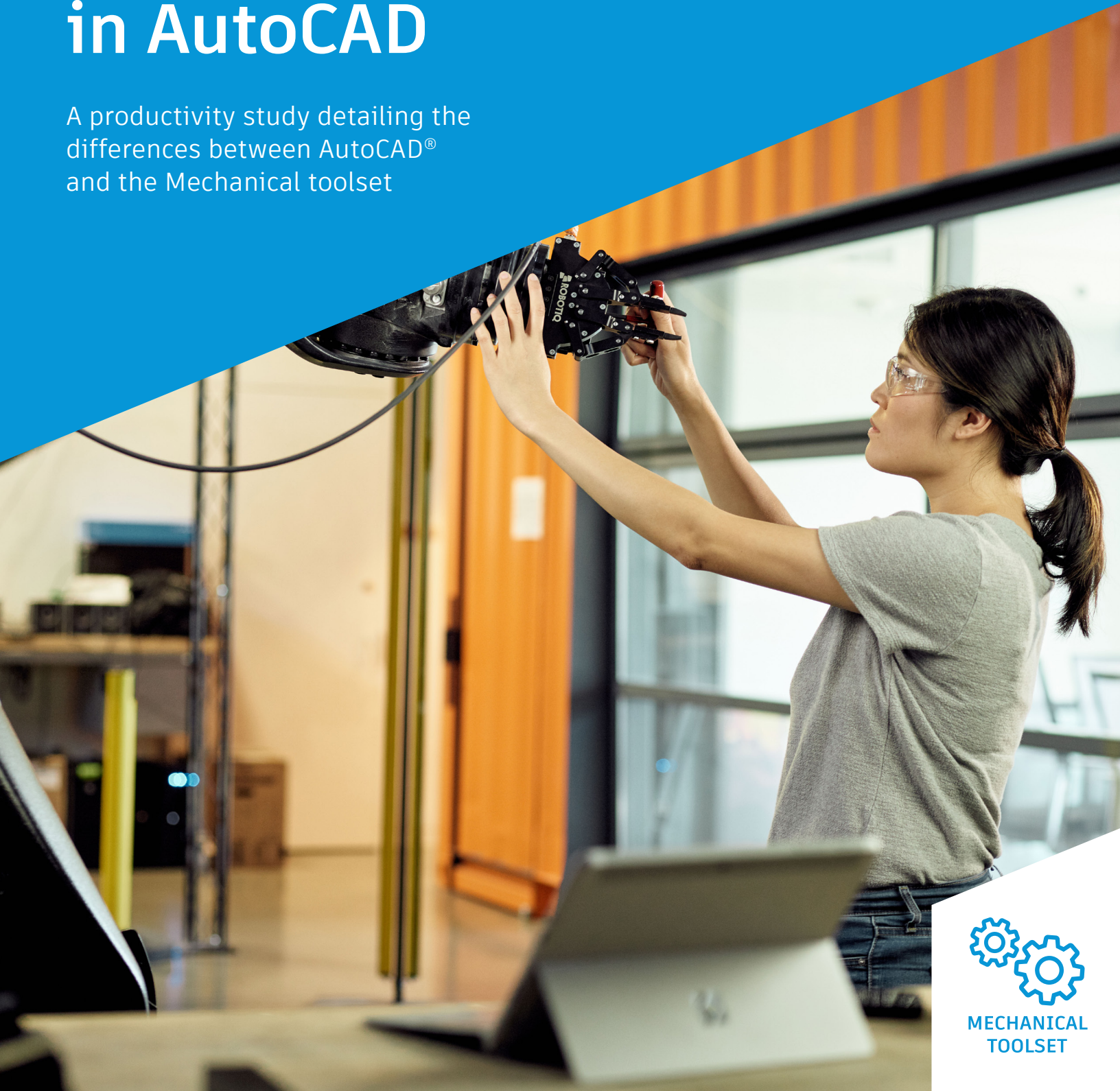


# The Benefits of Using the Mechanical Toolset in AutoCAD

A productivity study detailing the differences between AutoCAD® and the Mechanical toolset



**The Mechanical toolset** (previously referred to as AutoCAD Mechanical), now included as part of the AutoCAD including specialized toolsets offering, can help save many hours of design and rework by automating many common tasks. This productivity study details the productivity gains that users may experience when using AutoCAD with the Mechanical toolset rather than just basic AutoCAD.\*



# Executive Summary

Designed by Autodesk and commissioned to an independent consultant, this study explores several common design challenges and shows direct comparisons of the time and effort required to accomplish each specific task in basic AutoCAD and in AutoCAD with the Mechanical toolset.

The same tasks were completed up to **55%\* faster** on average using the Mechanical toolset (depending on user expertise level with the Mechanical toolset software and based on experience and training).



# Key Findings

## Using the Mechanical toolset:

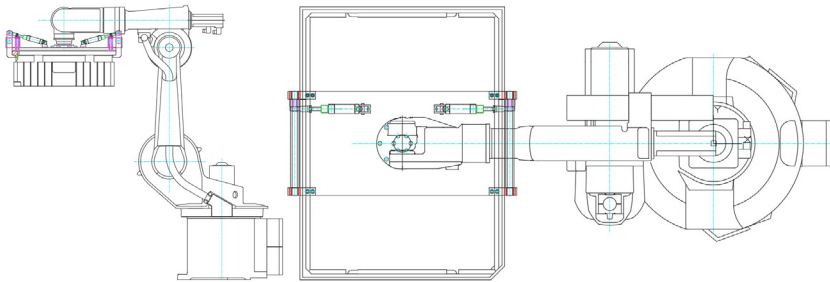
For 2D CAD work, a **total time reduction of approximately 55%** was achieved with the Mechanical toolset.

The risk of error is greatly reduced with more standardized functions and the availability of standardized parts.



# The Study

Today mechanical engineers use 2D CAD mainly to machine designs, plan factory layouts, or rework legacy data.



13	2			E295
12	4	Rolling Bearing	ISO 15 - 8 68 - 20 x 32 x 22	
11	1			
10	4	JOINT		CST 211
9	2	LEVER		CST34
8	2	CYLINDER		CST 9
7	2	STROKE		CST 21
6	2	CLAMP		CST 11
2	1	PLASTIC TRAY	800X600X200	PLASTIC
5	1	AXIS		
4	1	BASEMENT		
Item	Qty	Description	Standard	Material

Based on these uses, we looked at a typical undertaking: modifying an existing robot handling assembly. A team of designers, electrical engineers, programmers, purchasers, and technicians work together to build the robot, and different tasks were required to modify it.

This comparison concentrates on typical design tasks and their time ratio during the project.

Below you will see typical AutoCAD design tasks in detail (with the related times for this project):

CAD design tasks	%	Time (hrs)
Search/insertion for project data	6%	4.2
Search/insertion for standard parts	3%	2.1
Search/insertion for supplier parts	2%	1.4
Search for data from other projects	2%	1.4
Data loading	2%	1.4
Data import (other CAD formats)	2%	1.4
Creation of concepts	15%	10.5
Detailing of concepts	10%	7.0
Calculations	2%	1.4
Structuring of data (layer, blocks, xrefs...)	8%	5.6
Detailing of data out of assembly	5%	3.5
Modifying	15%	10.5
Dimensions	9%	6.3
Annotations	9%	6.3
Bill of materials	8%	5.6
Data export	2%	1.4
	<b>100%</b>	<b>70.0</b>

The different tasks should be ranked according to how often a designer uses them. The Mechanical toolset offers many features and functionality specific to the major design tasks.

**Before we start, here are some things to note about the preconditions regarding this study:**

A designer had to create the same results: one using basic AutoCAD and one using the Mechanical toolset. They reworked components of the existing robot handling assembly and updated the robot with this data. To have proper results, only the pure CAD work was measured, not the redesign needed. AutoCAD was compared against the Mechanical toolset.

We assumed that the AutoCAD user had already predefined templates with certain layer definitions, BOM structures, a basic library with standard parts, and other settings. The time to prepare all of this is not included in the comparison (even though the Mechanical toolset offers all of this out-of-the-box).

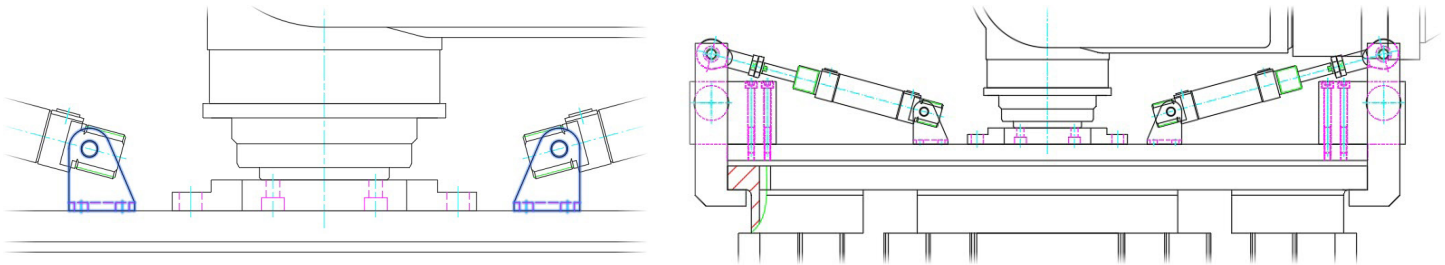
**Now, let us look at some of the tasks in detail before we evaluate the complete list.**

# Design a new robot tray clamp

A new model of tray clamp will be used in the existing robot assembly. The old tray clamp was an outdated version, and the new clamp design adheres to current safety standards. The new clamp system is fixed to the tray on both sides. Finally, a recalculation is needed to see if the clamp forces are enough to center the tray.

## Steps:

- Load existing data
- Rework existing data
- Create new clamp with tools like layers, blocks, construction lines, and standard features
- Open subassembly



Design a new robot tray clamp	AutoCAD	Mechanical toolset
Prepare existing data	08:25	06:45
Create new concept	12:35	05:25
Structure data	03:30	01:20
Total time to complete task	24:30	13:30
<b>Time savings with the Mechanical toolset</b>		<b>45%</b>

*(Figures shown in minutes and seconds)*

## Advantages:

Using layers and properties in basic AutoCAD is not a difficult task, but it requires many manual tasks. You can spend a significant amount of time and energy checking and moving entities to the correct layer to meet your company's defined set of rules.

The intelligent layer management system in the Mechanical toolset automatically places items on the correct layer, color, and linetype as you create your drawing. And it can be easily customized based on your company requirements.

## Customizable layer types include:

- Text and hatching
- Centerlines and construction lines
- Hidden lines
- Symbols and notes
- Title borders

The DWG Compare and XREF Compare functions in the Mechanical toolset can assist in this process by comparing different revisions of the same design.



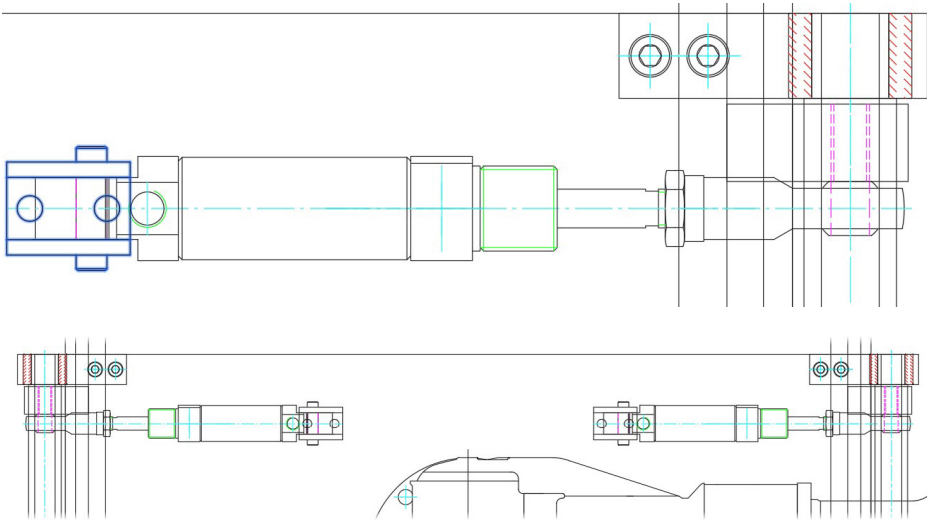


# Detail and optimize new tray clamp

The clamp is now up to the major specs. It must be checked that all positions work properly, and the contour does not interfere anywhere.

## Steps:

- Control position with constraints
- Optimize geometry
- Modify the geometry on both sides of the tray



Detail and optimize new tray clamp	AutoCAD	Mechanical toolset
Control positions	04:10	04:10
Create reference data	03:00	00:30
Optimize clamp	15:20	08:20
Complete assembly	11:00	05:10
Total time to complete task	33:30	18:10
<b>Time savings with the Mechanical toolset</b>		<b>46%</b>

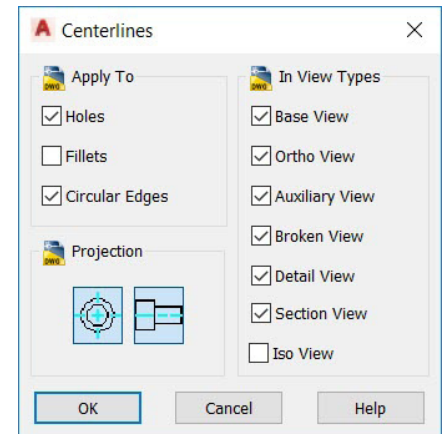
(Figures shown in minutes and seconds)

## Advantages:

The Mechanical toolset includes many commands that enhance the basic AutoCAD commands. On one hand, you save time. On the other hand, you have easier access to commands you otherwise might not know about.

## The Mechanical toolset provides these additional options:

- More than 30 options for rectangle, arc, and circle creation
- Nearly automatic centerline creation and updating
- Specialty lines for break out views and section lines
- A full suite of construction lines for aligning drafting views
- Manufacturing-focused hatching patterns and sizes

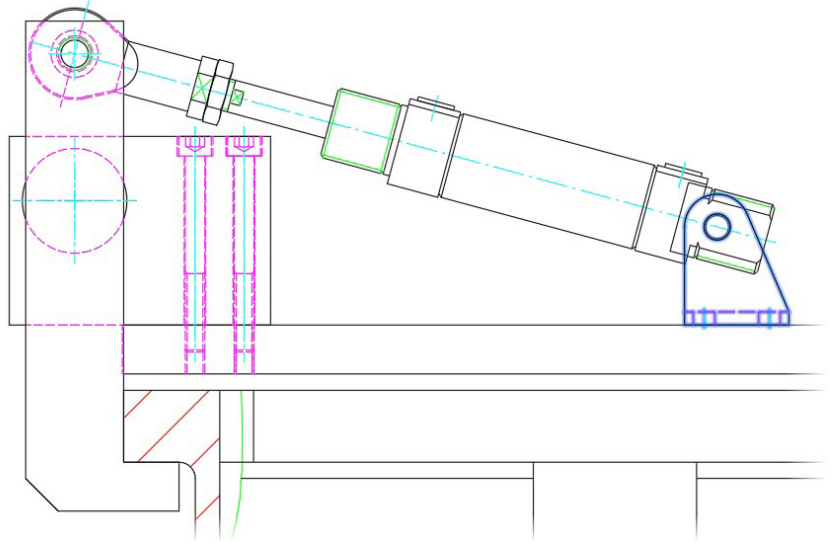


## Prepare assembly with details

To understand all critical issues the foreground/background situation must be represented correctly.

### Steps:

- Create clear foreground/background
- Modify clamp
- Update background data



Prepare assembly with details	AutoCAD	Mechanical toolset
Modify background contour	06:20	00:50
Modify holes in clamp	03:00	01:10
Update background contour	05:00	00:00
<b>Total time to complete task</b>	<b>14:20</b>	<b>2:00</b>
<b>Time savings with the Mechanical toolset</b>		<b>86%</b>

(Figures shown in minutes and seconds)

### Advantages:

The basic AutoCAD software requires a lot of manual work and geometry manipulation to accurately represent parts and features that are partially or completely hidden in drawing views. Even in the simplest situation where one plate partially obstructs the view of another plate, several lines must be broken, trimmed, and then hidden in the drawing view. This design process is labor-intensive and tedious, reducing the time available for mechanical design.

Ramp up productivity by defining simple foreground and background selections that automatically redraw

geometry to show hidden or dashed lines of parts that are obstructed by other parts in a design. Hidden lines automatically update when changes occur, virtually eliminating the need to manually redraw geometry due to design changes.

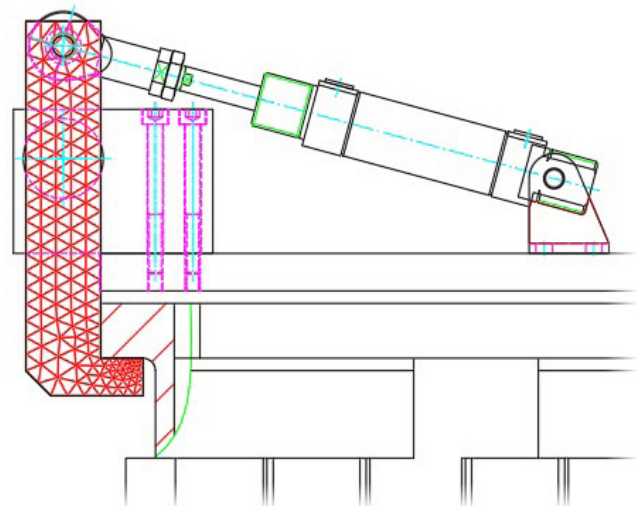
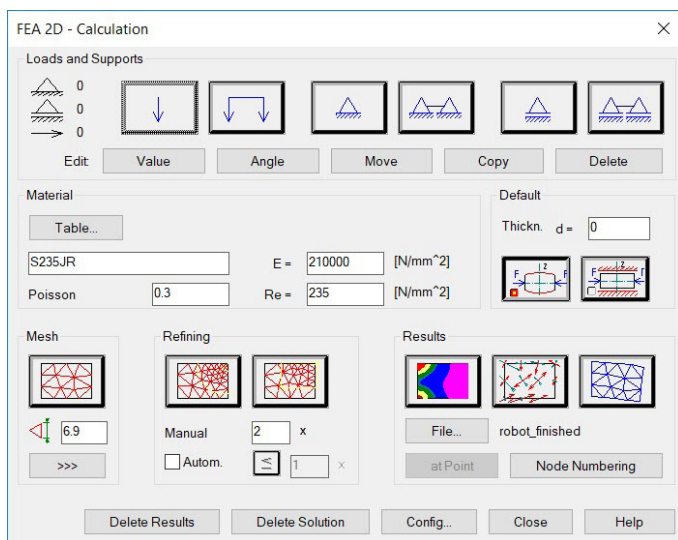
For the first time in 2D, identical parts can have different geometrical appearances when hidden, but the Mechanical toolset recognizes that they are still identical parts if you need to change the design or get an accurate count for the parts list. This means you spend less time and effort updating your 2D designs.

# Calculate forces in mechanism

The existing robot cell caused problems when clamping the plastic trays. To set the right forces for the pneumatic cylinder, you will need to know which forces will act on the clamp faces.

## Steps:

- Calculate clamp forces



Calculate forces in mechanism	AutoCAD	Mechanical toolset
Calculate forces that will affect tray	10:00	02:00
<b>Time savings with the Mechanical toolset</b>		<b>80%</b>

(Figures shown in minutes and seconds)

## Advantages:

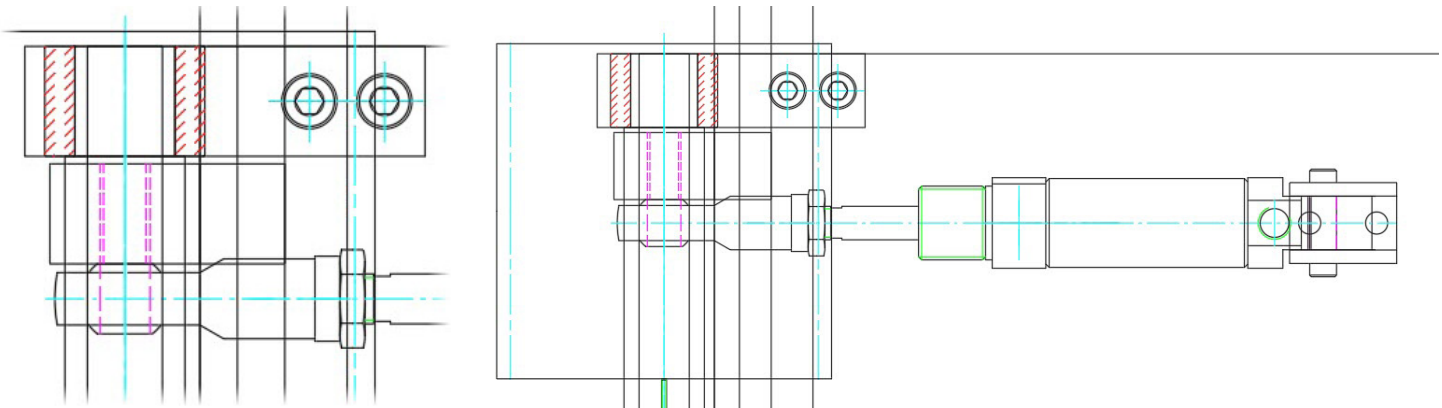
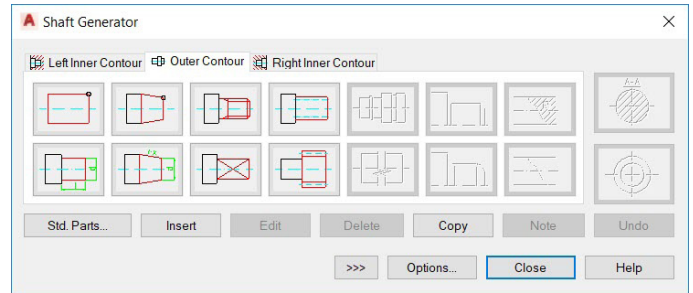
The Mechanical toolset offers a myriad of calculation functions. You can even perform an analysis on 2D geometry that is subject to static loads. You can calculate stress and deformation in a plane or a cross-section with individual forces and stretching loads.

# Connect clamp with shaft

In total, four clamps will secure the tray. On both sides, a shaft is connecting the clamps. This helps to reduce the energy effort and synchronize the system cost-efficiently.

## Steps:

- Create a shaft to connect the clamps on both sides
- Add standard parts to keep the shaft in position and transmit the power



Connect clamp with shaft	AutoCAD	Mechanical toolset
Create shaft	08:10	03:30
Insert bearings and parallel keys	06:20	00:40
Modify shaft to adapt to selected plain bearings	03:30	01:10
<b>Total time to complete task</b>	<b>18:00</b>	<b>05:20</b>
<b>Time savings with the Mechanical toolset</b>		<b>70%</b>

(Figures shown in minutes and seconds)

## Advantages:

The Blocks palette and block libraries functionality in basic AutoCAD can assist in standard part placement. However, the Mechanical toolset not only offers standard parts, but also assists in creating complete

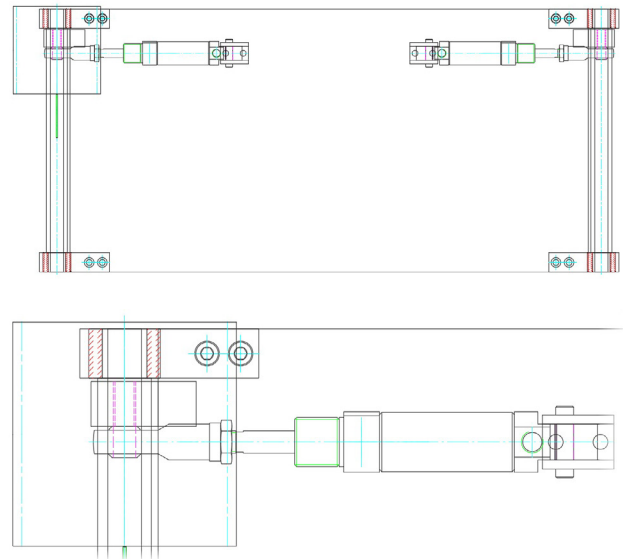
machine parts like shafts, gears, springs, and others by automatically connecting parts with all project information. Any change on one component will cause an automatic update on all other related components.

## Complete assembly

The other views of the components need to be finished. Additional preparations are needed to get the new components organized in blocks and xrefs.

### Steps:

- Create side view of clamp
- Create xref of clamp
- Create xref of shaft
- Complete assembly



Complete assembly	AutoCAD	Mechanical toolset
Create side view of clamp	04:20	03:40
Create xrefs	03:00	03:00
Complete top view	02:30	02:30
<b>Total time to complete task</b>	<b>09:50</b>	<b>09:10</b>
<b>Time savings with the Mechanical toolset</b>		<b>7%</b>

(Figures shown in minutes and seconds)

### Advantages:

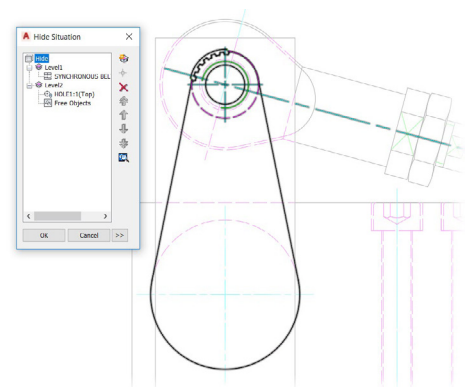
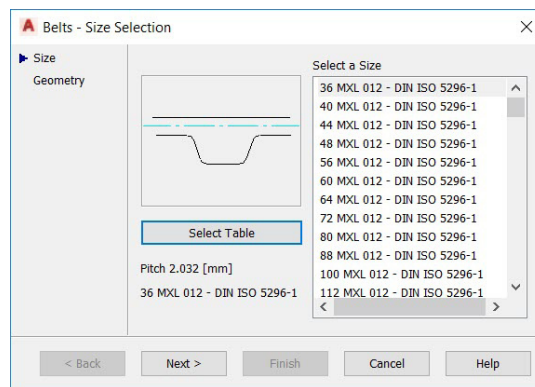
- The basic AutoCAD software offers a highly sophisticated functionality to structure blocks and xrefs
- The Blocks palette, in both the basic AutoCAD and in the Mechanical toolset, offers a block library function where standard blocks can be stored in the cloud for use by the whole design team
- The XREF Compare function will assist in the creation of xrefs, comparing different design revisions
- The Mechanical toolset delivers additional value for drafting functions as well

## Add pulleys and belt

The left and right side of the clamps need to be synchronized. This can happen easily with a belt or chain system.

### Steps:

- Add pulleys and belt
- Add adjuster pulley
- Calculate correct position to be able to order a standardized belt type and length



Add pulleys and belt	AutoCAD	Mechanical toolset
Add pulleys	05:40	02:10
Add belt	08:00	02:50
Add adjuster pulley	05:40	02:40
Optimize adjuster pulley position	10:20	01:30
<b>Total time to complete task</b>	<b>29:40</b>	<b>09:10</b>
<b>Time savings with the Mechanical toolset</b>		<b>69%</b>

(Figures shown in minutes and seconds)

### Advantages:

If you are building mechanisms from paper catalogs and doing manual calculations, then these comprehensive tools can be a huge time-saver. Built into the application environment, they are extremely helpful when making small, iterative

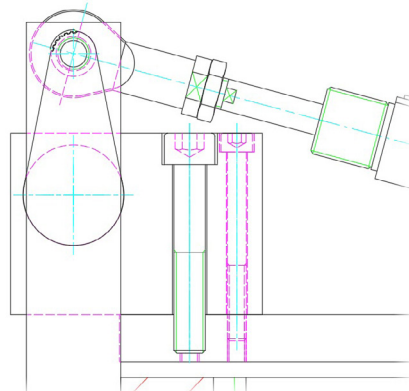
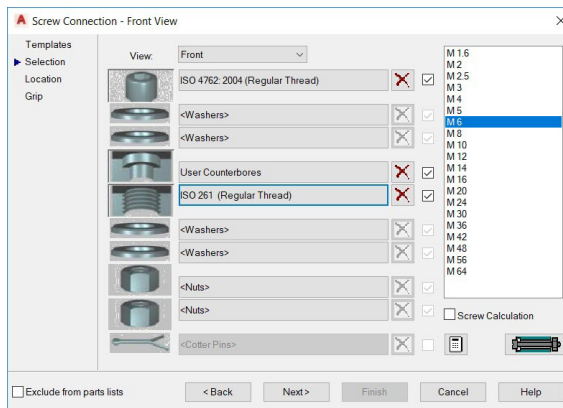
changes to improve a design. They not only create parts according to specifications, but also create all the reports and calculations needed to analyze the design. The Mechanical toolset includes shaft, spring, belt, chain, and cam generators.

## Mount clamp fixture with screws

The newly created components need to be secured with screw connections.

### Steps:

- Insert screws
- Add holes to the components

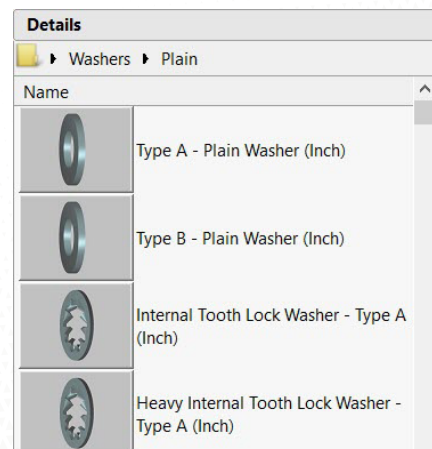


Mount clamp fixture with screws	AutoCAD	Mechanical toolset
Search correct screw size	05:10	01:50
Add holes to parts	02:30	00:00
Complete view with breakout and hatch	05:00	02:10
Insert 2 <sup>nd</sup> screw connection in hidden mode	10:20	01:10
Total time to complete task	23:00	05:10
<b>Time savings with the Mechanical toolset</b>		<b>78%</b>

(Figures shown in minutes and seconds)

### Advantages:

The Mechanical toolset contains more than 700,000 standard parts like pre-drawn screws, nuts, washers, pins, rivets, and bushings. It also includes 100,000 pre-drawn standard features such as undercuts, keyways, and thread ends. When incorporated into a design, the feature cleans up the insertion area automatically in the drawing, so you don't have to edit manually. The Mechanical toolset also contains more than 8,000 pre-drawn holes such as through holes, blind holes, counter-bored holes, countersunk holes, oblong holes, and others.



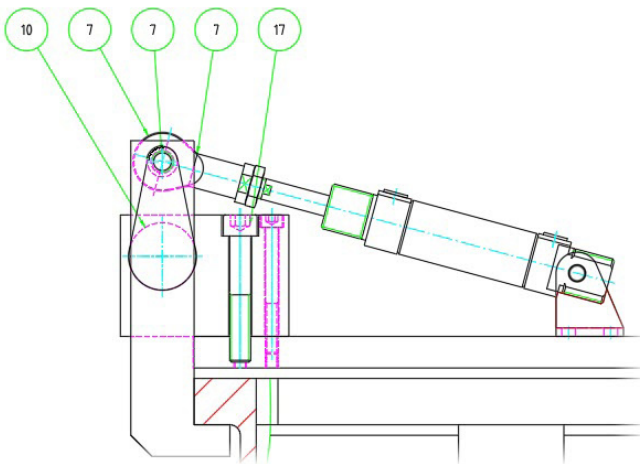


## Prepare production drawings for assembly

Create production drawing for assembly.

### Steps:

- Insert drawing border
- Insert balloons
- Insert bill of materials



17	1	Hexagon Socket Head Cap Screw	ISO 4762 - M10x60	
16	1	Synchronous belt	36 MXL 012 - DIN ISO 5296-1	
14	8	Hexagon Socket Head Cap Screw	ISO 4762 - M6x60	
15	2	SHAFT1		
13	4			E295
12	8	Rolling Bearing	ISO 15 - 8 68 - 20 x 32 x 22	
11	2			
10	8	JOINT		CST 211
9	4	LEVER		CST34
8	4	CYLINDER		CST 9
7	4	STROKE		CST 21
6	4	CLAMP		CST 11
2	1	PLASTIC TRAY	800X600X200	PLASTIC
5	1	AXIS		
4	1	BASEMENT		
<b>Item</b>	<b>Qty</b>	<b>Description</b>	<b>Standard</b>	<b>Material</b>

### Prepare production drawings for assembly

### AutoCAD

### Mechanical toolset

Insert drawing border

01:00

01:00

Insert balloons

08:40

02:10

Insert bill of materials (BOM)

05:20

01:40

Total time to complete task

15:00

04:50

**Time savings with the Mechanical toolset**

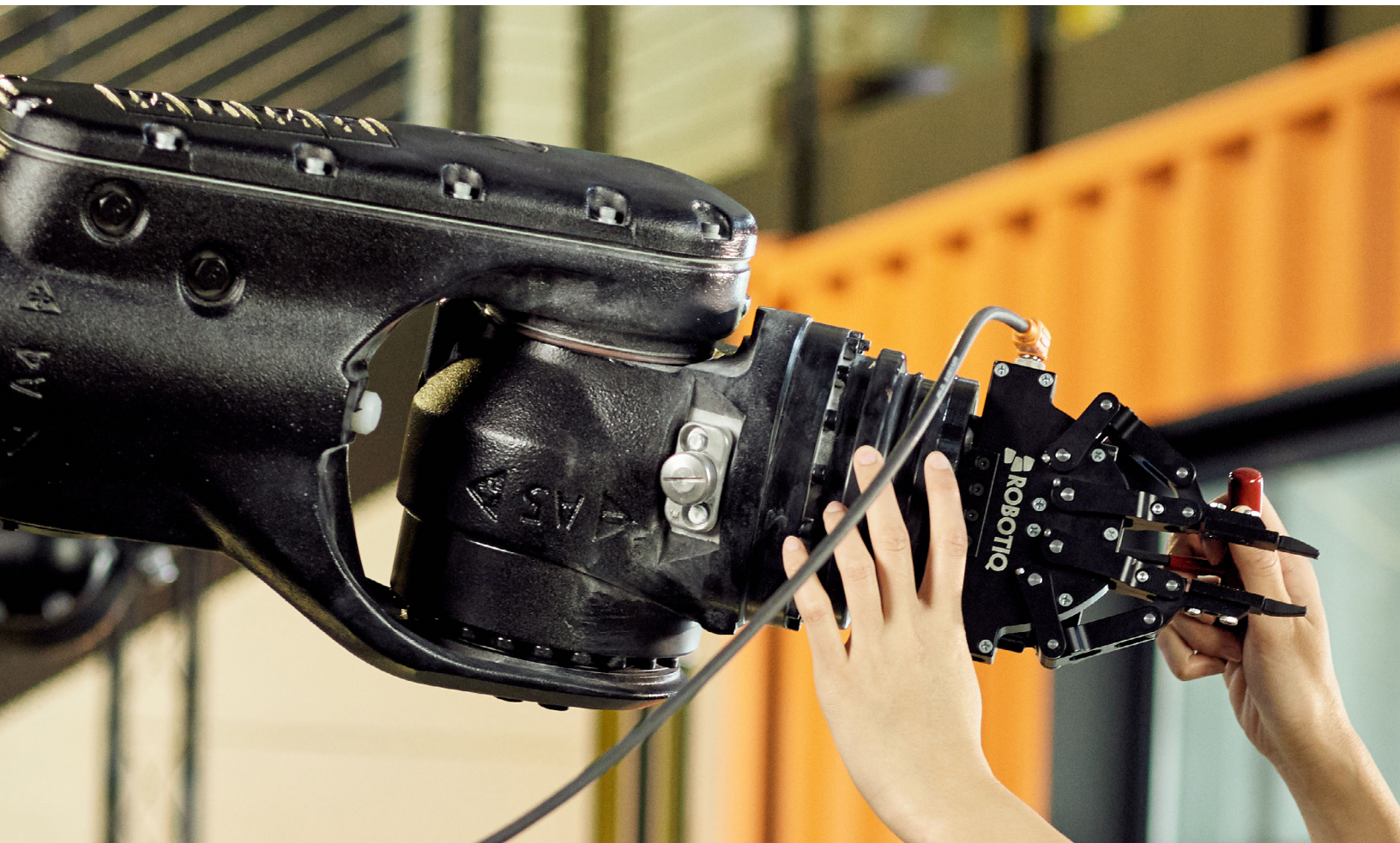
**68%**

(Figures shown in minutes and seconds)

## Advantages:

- The centralization of drawing borders in the Blocks palette provided by the block library function
- Create automated and associative parts lists and BOMs that were specifically developed for manufacturing and that automatically update as the design changes. Included is support for multiple parts lists per drawing, collapsible assemblies, automatic recognition of standard parts, and customizable options so features can be revised to match current company practices.

Change a design once, and updates ripple through the entire drawing, helping to keep everyone on schedule and reduce costly stops in production from incorrect part counting, identification, and ordering. Export or link BOM data to manufacturing resource planning (MRP) and enterprise resource planning (ERP) systems, or data management systems such as Autodesk® Vault Professional software.

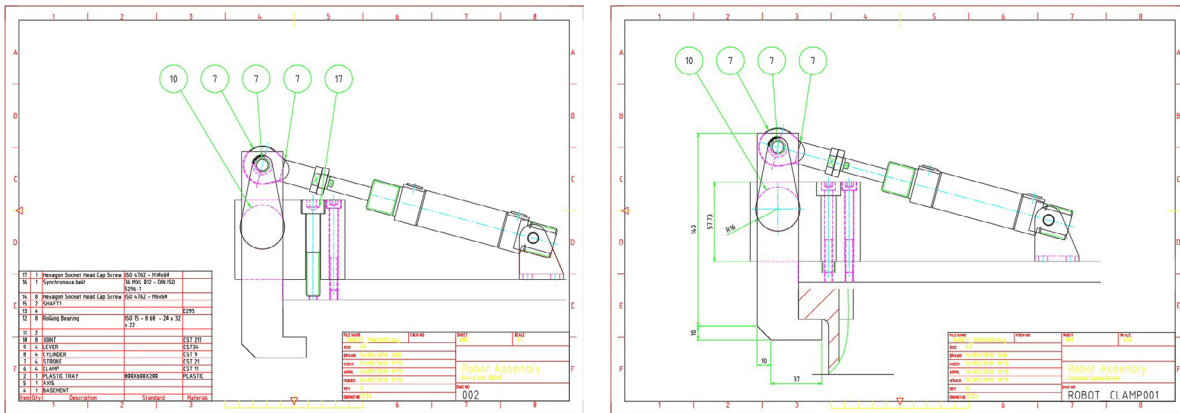


## Prepare production drawings for clamp and shaft

Create production drawings for parts.

### Steps:

- Create detail drawing of clamp and shaft
- Add details
- Add dimension
- Add symbols and parts list (BOM)
- Update drawings based on changes



Prepare production drawings for clamp and shaft	AutoCAD	Mechanical toolset
Create missing views/details on parts	11:10	04:00
Add dimensions	07:10	04:30
Add annotations	05:00	03:20
Modify drawing scale	03:10	00:30
Add details and parts list (BOM)	02:00	01:10
Insert screw connection in hidden mode	10:10	01:10
Total time to complete task	38:40	14:40
<b>Time savings with the Mechanical toolset</b>		<b>62%</b>

(Figures shown in minutes and seconds)

## Advantages:

### Powerful and smart dimensions

With the streamlined tools in the Mechanical toolset, you can create dimensions using abbreviated dialog boxes that conveniently control and expand only the relevant variables for manufacturing. With automatic dimensioning, you can create multiple dimensions with minimal input, resulting in instant groups of ordinate,

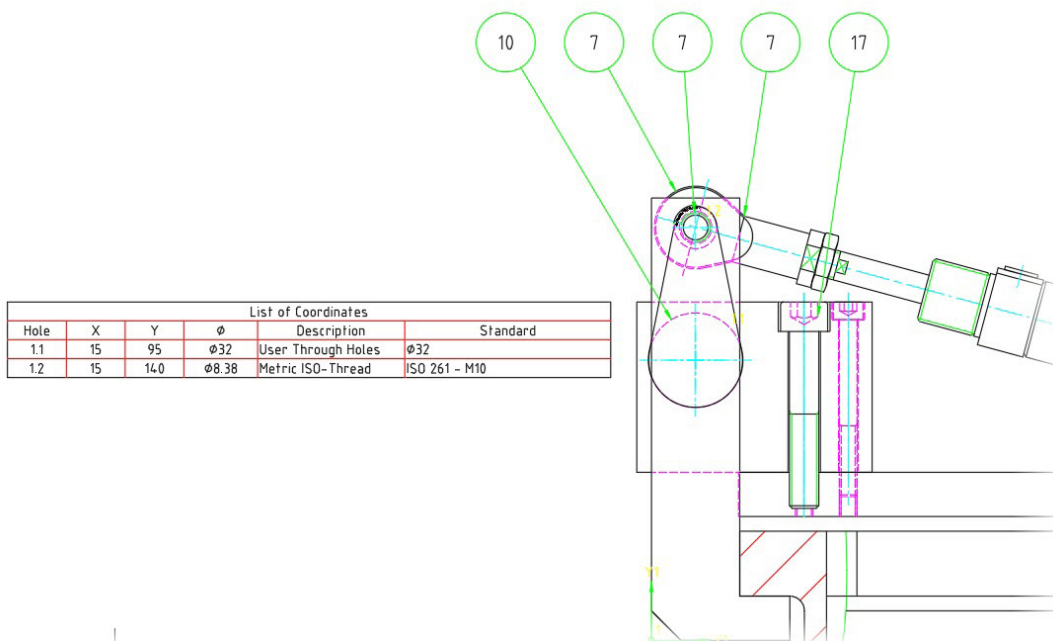
parallel, or symmetric items that are appropriately spaced. Smart dimensioning tools force overlapping dimensions to automatically space themselves appropriately while integrating tolerance and fit list information into the design. Dimension input can even drive and change design geometry to fit certain sizes.

### Reusable detailing tools

Built to save you time, the Mechanical toolset has a specific tool for almost every aspect of the mechanical drafting process. Many of these drafting tools have the intelligence that helps users easily reedit features without having to remove and recreate the original feature. For example, users can easily resize a chamfer or fillet through the original dialog parameters by simply double-clicking on the chamfer or fillet.

The list of tools includes, but is not limited to:

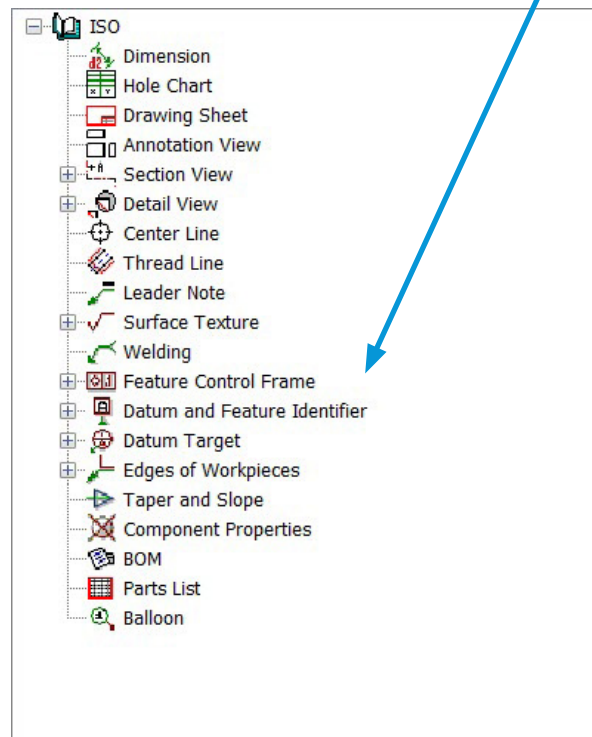
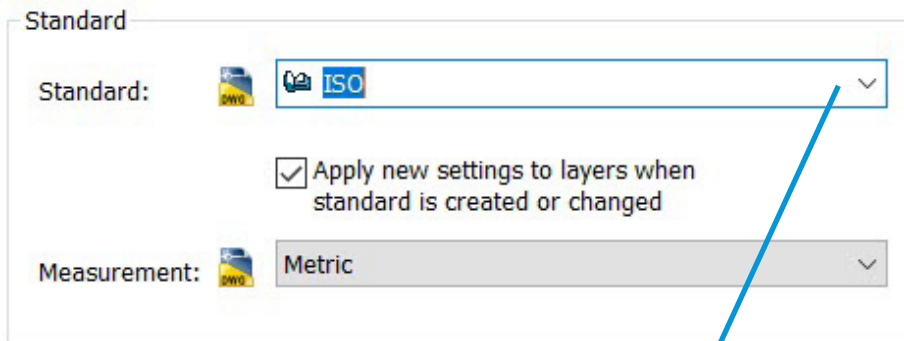
- Detail Views – easily create linked views at different scales
- Hole Charts – automatically updated charts for the shop floor
- Scale Areas – change drawing scale without making duplicate copies
- Title and Revision Blocks – English and metric versions available



## International drafting standards

Multiply productivity with tools that help project teams deliver consistent, standards-based design documentation. The Mechanical toolset supports ANSI, BSI, CSN, DIN, GB, ISO, JIS, and GOST drafting environments. Adhering to a standard environment helps project teams maintain a common form of communication for consistent production results.

The Mechanical toolset includes drafting tools to create standards-based surface texture symbols; geometric dimensioning and tolerances; datum identifiers and targets; notes; taper and slope symbols; and weld symbols.

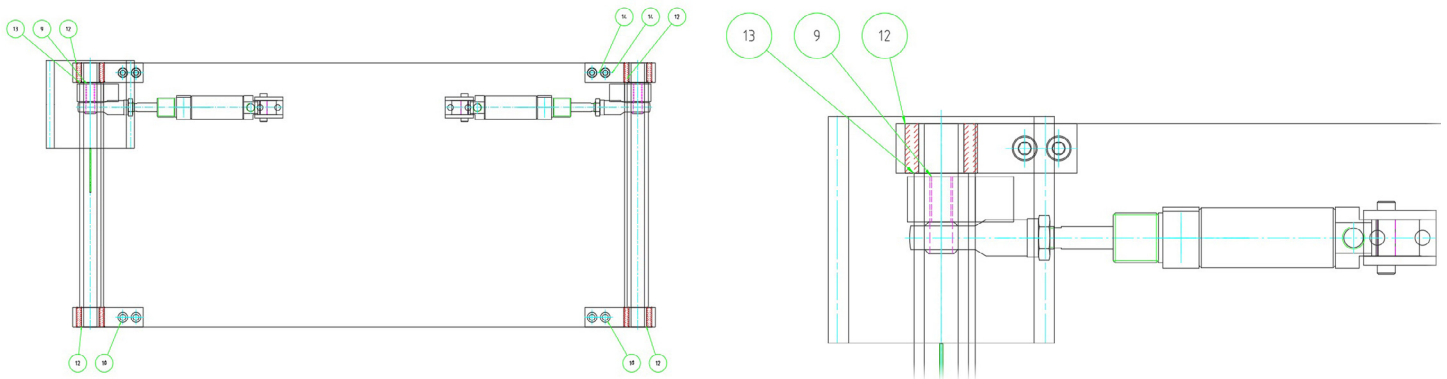


# Modify shaft in part and assembly drawing

Due to detailing and feedback from production, some changes need to be made.

## Steps:

- Change shaft
- Add circlip
- Update part drawing with dimensions for circlip



Modify shaft in part and assembly drawing	AutoCAD	Mechanical toolset
Create missing views/details on parts	05:20	01:10
Add dimensions	03:10	03:00
Add annotations	02:40	02:00
Total time to complete task	11:10	06:10
<b>Time savings with the Mechanical toolset</b>		<b>45%</b>

(Figures shown in minutes and seconds)

## Advantages:

The Mechanical toolset commands recognize power objects and use the attached information to react to them intelligently. Power Commands are commands that use object information to accelerate user operations, such as editing and copying objects.

Using Power Commands, you can bypass pull-down menus, toolbars, and tablet locations, using the objects themselves as “command menus.” Start the Power Command you want to use and click an object.

# Conclusion

In this study, the 11 common design challenges we analyzed were just a few examples taken from the complete project.

Here's a complete look at the needed CAD working time for the complete project:

Project tasks	Time (hrs) AutoCAD	Time (hrs) Mechanical toolset
Search/insertion for project data	4.2	3.9
Search/insertion for standard parts	2.1	0.5
Search/insertion for supplier parts	1.4	1.3
Search for data from other projects	1.4	1.5
Data loading	1.4	1.4
Data import (other CAD formats)	1.4	1.2
Creation of concepts	10.5	5.2
Detailing of concepts	7.0	2.2
Calculations	1.4	0.3
Structuring of data (layer, blocks, xrefs...)	5.6	2.2
Detailing of data out of assembly	3.5	1.3
Modifying	10.5	4.3
Dimensions	6.3	1.3
Annotations	6.3	1.8
Bill of materials	5.6	2.1
Data export	1.4	1.3
	<b>70.0</b>	<b>31.8</b>

## With the Mechanical toolset it is possible to save about 55% on average of the 2D CAD working time.\*

Based on these studies, the Mechanical toolset provides a level of productivity for mechanical designers and drafters that is not possible with basic AutoCAD.

Because the Mechanical toolset is built specifically for mechanical design, you could realize immediate productivity benefits such as the ones discussed in this paper.

*\*As with all performance tests, results may vary based on machine, operating system, filters, and even source material. While every effort has been made to make the tests as fair and objective as possible, your results may differ. Product information and specifications are subject to change without notice. Autodesk provides this information "as is", without warranty of any kind, either express or implied.*

